

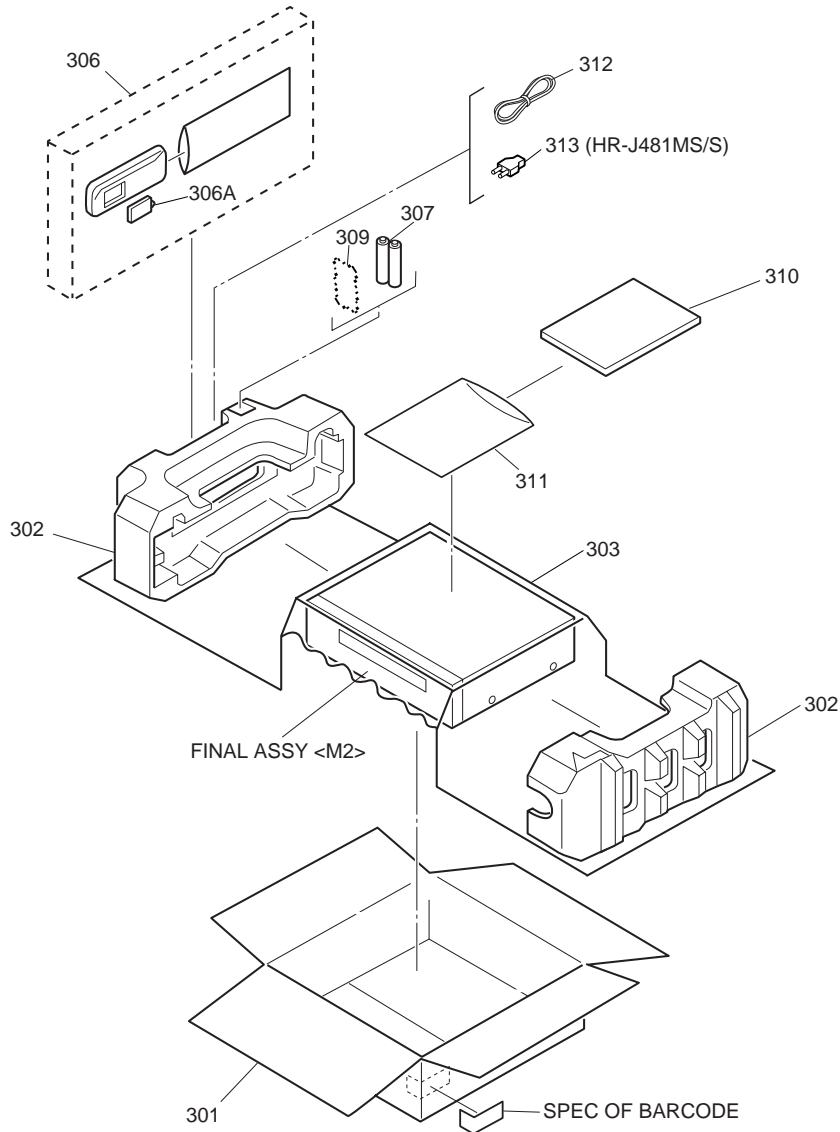
SECTION 5 PARTS LIST

SAFETY PRECAUTION

Parts identified by the \triangle symbol are critical for safety. Replace only with specified part numbers.

5.1 PACKING AND ACCESSORY ASSEMBLY <M1>

The instruction manual to be provided with this product will differ according to the destination.

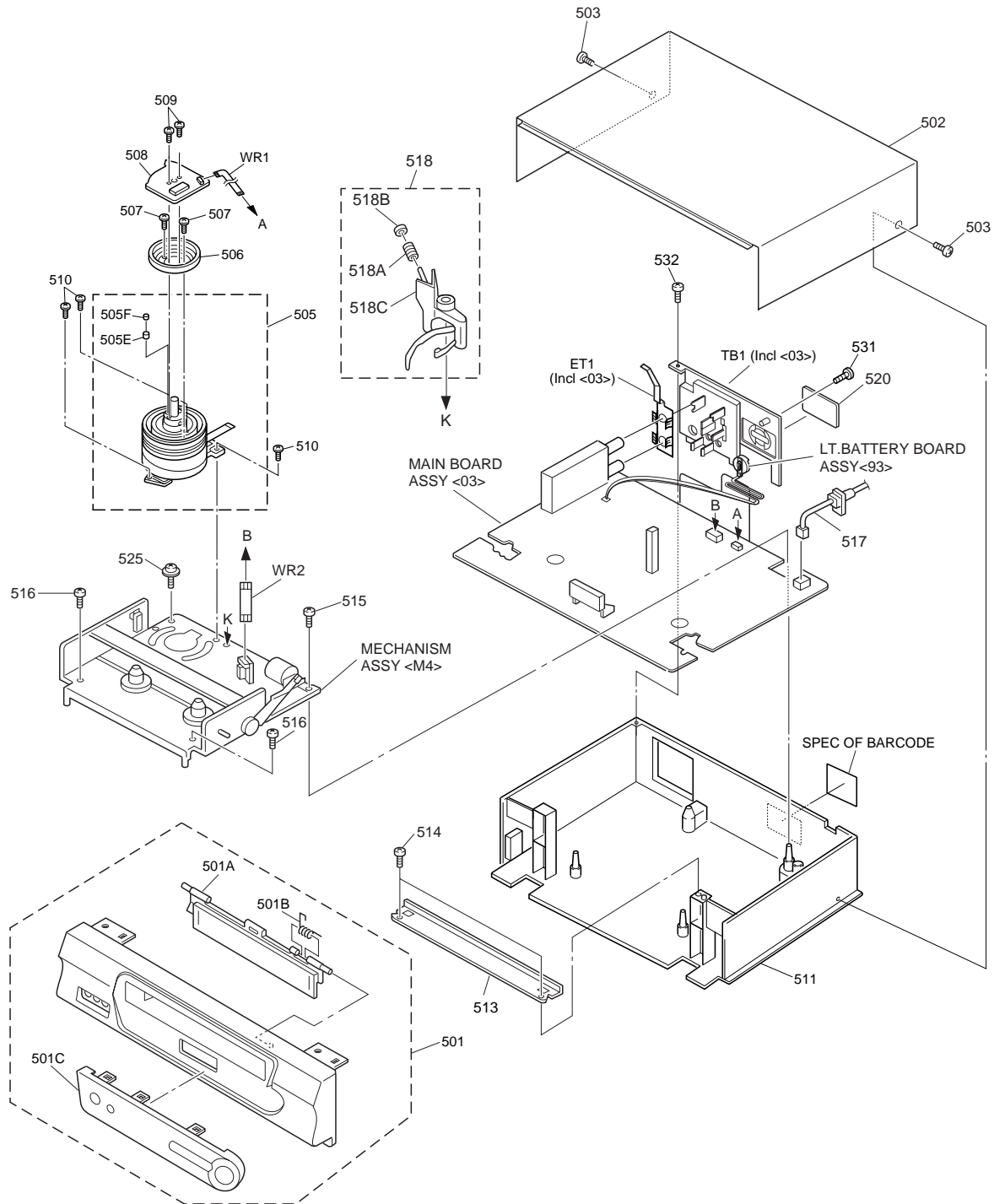


| # \triangle REF No. | PART No. | PART NAME, DESCRIPTION | # \triangle REF No. | PART No. | PART NAME, DESCRIPTION |
|--------------------------------------------------|--------------|------------------------|-----------------------|--------------|--------------------------|
| ***** | | | | | |
| PACKING AND ACCESSORY ASSEMBLY <M1> | | | | | |
| 301 | LP30994-001A | PACKING CASE | 307 | — | BATTERY,X2,"R6/UM-3"TYPE |
| 302 | LP30777-001C | CUSHION ASSY | \triangle 309 | PECA0903 | LI BATTERY,CR2025 |
| 303 | LP30904-002A | SHEET | \triangle 310 | LPT0591-001A | INST.BOOK(EN) |
| 306 | LP20878-008B | REMOTE CONTROLLER | \triangle | LPT0591-002A | INST.BOOK(CH),J481MS |
| 306A | LP40610-002A | COVER(BATTERY) | \triangle | LPT0591-003A | INST.BOOK(RU) |
| | | | \triangle | LPT0591-004A | INST.BOOK(AR),J481MS/S |
| | | | 311 | QPC02503530P | POLY BAG |
| | | | 312 | PEAC0348-02 | RF CABLE |
| | | | \triangle 313 | PEMC1012 | CONVERSION PLUG,J481MS/S |

5.2 FINAL ASSEMBLY <M2>

BEWARE OF BOGUS PARTS

Parts that do not meet specifications may cause trouble in regard to safety and performance. We recommend that genuine JVC parts be used.



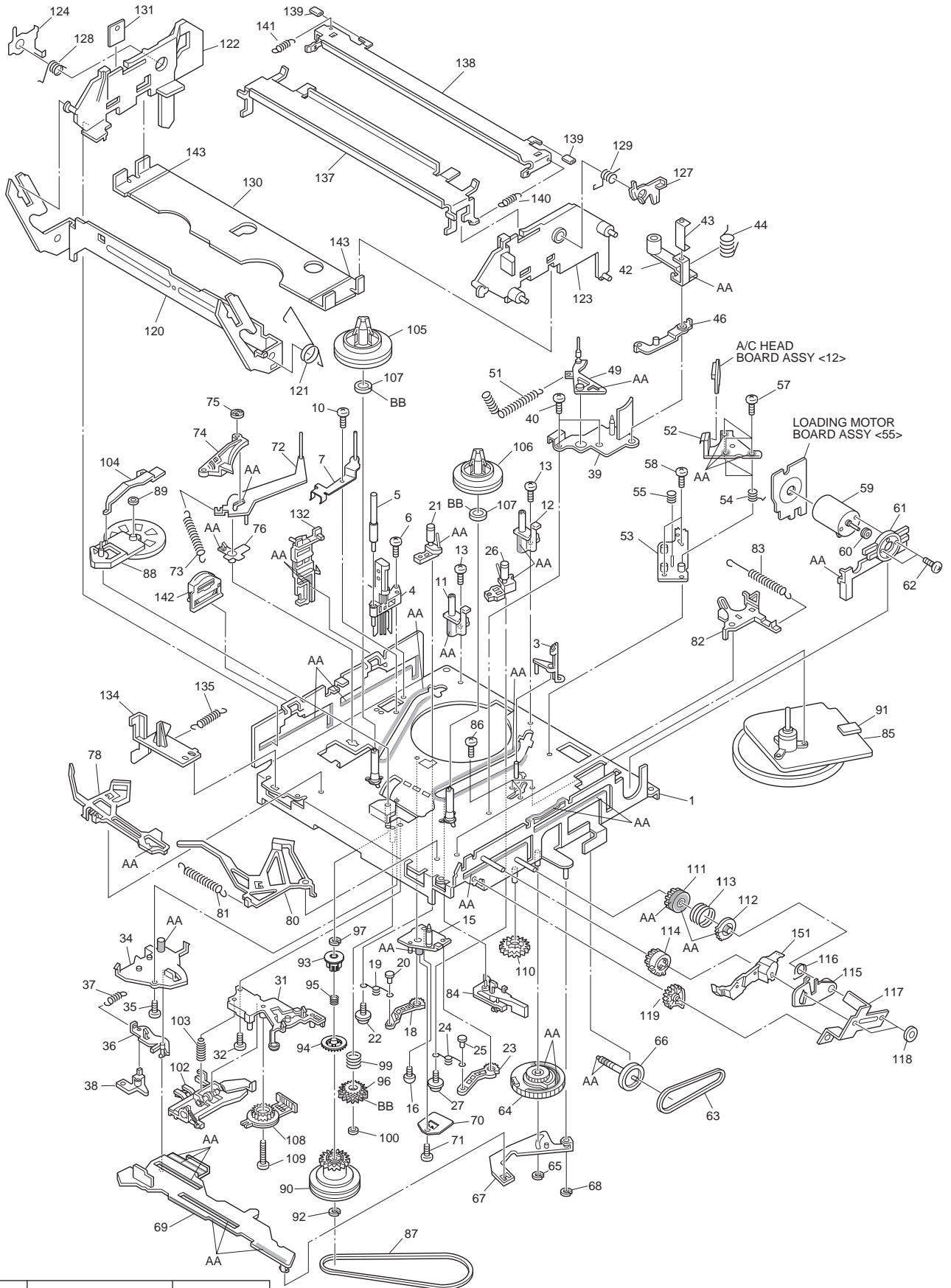
▲ REF No. PART No. PART NAME, DESCRIPTION

▲ REF No. PART No. PART NAME, DESCRIPTION

FINAL ASSEMBLY <M2>

| | | |
|-------|---------------|---------------------------|
| 501 | LP10348-021D | FRONT PANEL ASSY |
| 501A | LP20977-011B | CASSETTE DOOR |
| 501B | PQ46448 | TORSION SPRING |
| 501C | LP20976-021A | DISPLAY WINDOW |
| ▲ 502 | LP10352-008A | TOP COVER |
| 503 | QYTDSF3010R | SCREW,X2, TOP COVER(SIDE) |
| 505 | LP20981-007A | DRUM SUB ASSY |
| 505E | LP40323-001A | CONTACT |
| 505F | LP30004-014A | COMPRESSION SPRING |
| 506 | PDZ0179-1-4 | ROTOR ASSY |
| 507 | QYSPSP3006Z | SCREW,X2,ROTOR |
| ▲ 508 | QAR0169-002 | STATOR ASSY |
| 509 | QYSPSPH2606Z | SCREW,X2,STATOR |
| 510 | QYTDST2610Z | SCREW,X3,DRUM |
| ▲ 511 | LP10350-005D | BOTTOM CHASSIS |
| 513 | LP30818-001A | BRACKET(CHASSIS) |
| 514 | QYTDSF3010Z | SCREW,X2,BRACKET |
| 515 | QYTDSF4012Z | SCREW,MECHA |
| 516 | QYTDSF3010Z | SCREW,X2,MECHA |
| ▲ 517 | QMP4A10-170 | POWER CORD,J481MS |
| ▲ 518 | QMP73J0-170 | POWER CORD,J481MS/S |
| 518 | LP40369-001D | CLEANER ASSY |
| 518A | PQ46418-1-2 | CLEANER ROLLER |
| 518B | PQ46419-1-2 | CLEANER |
| 518C | LP30407-001D | CLEANER ARM |
| 520 | LP30336-001A | CAP,LT.BATTERY |
| 525 | PQ40413 | SPECIAL SCREW,MECHA |
| 531 | QYTDSF3010M | SCREW,REAR |
| 532 | QYTDSF3010Z | SCREW,TERMINAL BOARD |
| WR1 | QUQ212-0519CG | FFC WIRE,DRUM |
| WR2 | WJT0005-002A | E-CARD WIRE,A/C HEAD |

5.3 MECHANISM ASSEMBLY <M4>



| Classification | Part No. | Symbol in drawing |
|----------------|------------|-------------------|
| Grease | KYODO-SH-P | AA |
| Oil | COSMO-HV56 | BB |

NOTE:The section marked in AA and BB indicate lubrication and greasing areas.

| # | △ | REF No. | PART No. | PART NAME, DESCRIPTION | # | △ | REF No. | PART No. | PART NAME, DESCRIPTION |
|--------------------------------------|---|---------|--------------|---------------------------|-----|---|---------|--------------|---------------------------|
| ***** | | | | | | | | | |
| MECHANISM ASSEMBLY <M4> | | | | | | | | | |
| 1 | | | LP20821-006A | MAIN DECK ASSY | 74 | | | LP40109-003D | TENSION BRAKE ASSY |
| 3 | | | LP30492-002B | GUIDE POLE GUARD | 75 | | | PQ46302-1-3 | ADJUST PIN |
| 4 | | | NAH0001-001 | FULL ERASE HEAD | 76 | | | LP30232-002A | TENSION ARM BEARING |
| 5 | | | LP40098-001B | GUIDE POLE(SUPPLY) | 78 | | | LP40532-008B | MAIN BRAKE ASSY (SUPPLY) |
| 6 | | | QYTDST2608Z | SCREW,FE HEAD | 80 | | | LP40111-011A | MAIN BRAKE ASSY (TAKE UP) |
| 7 | | | LP40637-002A | TENSION STUD BASE ASSY | 81 | | | LP30003-026A | TENSION SPRING |
| 10 | | | QYTDST2606Z | SCREW | 82 | | | LP40112-001F | SUB BRAKE ASSY(TAKE UP) |
| 11 | | | LP30409-002C | UV CATCHER 2 | 83 | | | LP40357-002A | TENSION SPRING |
| 12 | | | LP30409-002C | UV CATCHER 2 | 84 | | | LP40461-001A | CAPSTAN BRAKE ASSY |
| 13 | | | QYTPST2606Z | SCREW,X2 | 85 | | | QAR0087-005 | CAPSTAN MOTOR |
| 15 | | | LP30223-003C | LOADING ARM GEAR SHAFT | 86 | | | QYTDST2606M | SCREW,X3 |
| 16 | | | QYTDST2606Z | SCREW | 87 | | | LP30005-007A | BELT,CAPSTAN MOTOR |
| 18 | | | LP30224-001B | LOADING ARM GEAR(SUPPLY) | 88 | | | LP40114-012A | IDLER ARM ASSY |
| 19 | | | LP40099-001A | TORSION ARM | 89 | | | LP40599-001A | WASHER |
| 20 | | | LP40100-001A | PIN | 90 | | | LP40593-001A | CLUTCH UNIT 3 |
| 21 | | | LP40101-006A | POLE BASE ASSY(SUPPLY) | 91 | | | LP30002-097A | SPACER,CAPSTAN MOTOR |
| 22 | | | QYSPSTG2606Z | SCREW | 92 | | | PQM30017-47 | SLIT WASHER |
| 23 | | | LP40103-002B | LOADING ARM GEAR(TAKE UP) | 93 | | | LP30696-002A | CLUTCH GEAR 4 |
| 24 | | | LP40099-001A | TORSION ARM | 94 | | | LP30697-003A | COUPLING GEAR |
| 25 | | | LP40100-002A | PIN | 95 | | | LP40554-002A | COMPRESSION SPRING |
| 26 | | | LP40104-006A | POLE BASE ASSY(TAKE UP) | 96 | | | LP40442-001A | DIRECT GEAR |
| 27 | | | QYSPSTG2606Z | SCREW | 97 | | | LP30017-019A | SPACER |
| 31 | | | LP20233-004B | ROTARY ENCODER GUIDE | 99 | | | LP40483-002A | COMPRESSION SPRING |
| 32 | | | QYTPST2606Z | SCREW | 100 | | | LP30016-001A | SLIT WASHER |
| 34 | | | LP30226-004E | CONTROL PLATE GUIDE | 102 | | | LP40484-001J | CHANGE LEVER ASSY |
| 35 | | | QYTPST2605Z | SCREW | 103 | | | LP40512-002B | COMPRESSION SPRING |
| 36 | | | LP30249-003B | TAKE UP LEVER | 104 | | | LP30236-002C | IDLER LEVER |
| 37 | | | LP30003-006A | TENSION SPRING | 105 | | | LP20237-001B | REEL DISK (SUPPLY) |
| 38 | | | LP40119-002A | TAKE UP HEAD | 106 | | | LP20238-001B | REEL DISK (TAKE UP) |
| 39 | | | LP20234-004B | LID GUIDE | 107 | | | LP30017-015A | SPACER,X2 |
| 40 | | | QYTDST2606Z | SCREW,X2 | 108 | | | QSW0554-003 | ROTARY ENCODER |
| 42 | | | LP40105-003A | PINCH ROLLER ARM ASSY | 109 | | | QYTPST2620Z | SCREW |
| 43 | | | LP40753-001A | PINCH ROLLER SHEET3 | 110 | | | LP30237-002B | CASSETTE GEAR |
| 44 | | | LP40148-002A | TORSION SPRING | 111 | | | LP30239-002G | LIMIT GEAR(1) |
| 46 | | | LP40149-001C | PRESS LEVER ASSY | 112 | | | LP30240-002G | LIMIT GEAR(2) |
| 49 | | | LP40106-007A | GUIDE ARM ASSY | 113 | | | LP40136-001E | TORSION SPRING |
| 51 | | | LP40134-002A | TENSION SPRING | 114 | | | LP30242-002A | RELAY GEAR |
| 52 | | | QAH0058-001 | AC HEAD | 115 | | | LP30339-002E | OPENER GUIDE |
| 53 | | | LP30228-001C | HEAD BASE | 116 | | | LP40545-001A | TORSION SPRING |
| 54 | | | LP30004-013A | COMPRESSION SPRING,X3 | 117 | | | LP40214-001B | C.H.BRACKET |
| 55 | | | LP40236-001A | COMPRESSION SPRING | 118 | | | PQM30017-47 | SLIT WASHER,X2 |
| 57 | | | LP40213-002B | SPECIAL SCREW,X3 | 119 | | | LP30243-002A | DRIVE GEAR |
| 58 | | | QYTDST2608Z | SCREW,X2 | 120 | | | LP20240-001G | DRIVE ARM |
| 59 | | | QAR0023-001 | LOADING MOTOR | 121 | | | LP40137-001A | TORSION SPRING |
| 60 | | | PQ43546-1-2 | MOTOR PULLEY | 122 | | | LP10081-002L | SIDE HOLDER(L) |
| 61 | | | LP30230-001B | MOTOR GUIDE | 123 | | | LP10082-002M | SIDE HOLDER(R) |
| 62 | | | QYTPSP3003Z | SCREW,X2 | 124 | | | LP30255-006A | LOCK LEVER(L) |
| 63 | | | LP30005-003A | BELT,LOADING MOTOR | 127 | | | LP30256-001H | LOCK LEVER(R) |
| 64 | | | LP20791-002D | CONTROL CAM | 128 | | | LP40168-003A | TORSION SPRING(L) |
| 65 | | | PQM30017-24 | SLIT WASHER | 129 | | | LP40218-001B | TORSION SPRING(R) |
| 66 | | | LP40120-001A | WORM GEAR | 130 | | | LP30257-001G | CASSETTE HOLDER |
| 67 | | | LP40107-002A | LINK LEVER ASSY | 131 | | | LP40852-001A | EARTH PLATE |
| 68 | | | PQM30017-24 | SLIT WASHER | 132 | | | LP30244-002G | GUIDE RAIL |
| 69 | | | LP10201-003G | CONTROL PLATE | 134 | | | LP30245-002F | REC SAFETY LEVER |
| 70 | | | LP40379-001B | CONTROL BRACKET(1) | 135 | | | LP30003-004A | TENSION SPRING |
| 71 | | | QYTDST2608M | SCREW | 137 | | | LP20578-001C | TOP GUIDE |
| 72 | | | LP40108-002A | TENSION ARM ASSY | 138 | | | LP30500-001C | HOLD PLATE |
| 73 | | | LP30003-010A | TENSION SPRING | 139 | | | LP40450-003A | PAD,X2 |
| | | | | | 140 | | | LP30003-025B | TENSION SPRING |
| | | | | | 141 | | | LP30003-024A | TENSION SPRING |
| | | | | | 142 | | | LP40481-003A | ROLLER CAM ASSY |
| | | | | | 143 | | | LP30019-014A | PAD,X2 |
| | | | | | 151 | | | LP20324-003B | DOOR OPENER |

5.4 ELECTRICAL PARTS LIST

| # | △ REF No. | PART No. | PART NAME, DESCRIPTION |
|---------------------------------------|-----------|--------------------|------------------------|
| ***** | | | |
| MAIN BOARD ASSEMBLY <03> | | | |
| PW1 | | LPA10130-24A1 | MAIN BOARD ASSY |
| IC1 | | JCP8021-MVD | IC |
| | | or JCP8021-MVD-2 | IC |
| | | or JCP8051-MVA | IC |
| IC3001 | | MN101D06GJA | IC |
| | | or MN101DF06KAFJA | IC |
| IC3002 | | BA6956AN | IC |
| IC3003 | | S-80825ANNP-W | IC |
| | | or IC-PST3425U-X | IC |
| IC3004 | | S-24C04BFJ-X | IC |
| | | or BR24C04F-W-X | IC |
| | | or X24C04S | IC |
| | | or 24LC04B/SN-X | IC |
| | | or AT24C04N-10SC-X | IC |
| IC5301 | | L5431 | IC |
| | | or MM1431AT | IC |
| | | or UTCTL431 | IC |
| IC7042 | | GP1U291Q | IR DETECT UNIT |
| | | or PIC-28143LJ | IR DETECT UNIT |
| | | or PNA4652M00YC | IR DETECT UNIT |
| | | or PIC-37143LJ | IR DETECT UNIT |
| Q12 | | 2SA1576A/QR/-X | TRANSISTOR |
| | | or 2SB1218A/QR/-X | TRANSISTOR |
| | | or 2PA1576R/-X | TRANSISTOR |
| Q22 | | 2SC4081/QRS/-X | TRANSISTOR |
| | | or 2PC4081R/-X | TRANSISTOR |
| Q38 | | 2SC4081/QRS/-X | TRANSISTOR |
| | | or 2PC4081R/-X | TRANSISTOR |
| | | or 2SD1819A/QRS/-X | TRANSISTOR |
| Q41 | | DTC144WU | TRANSISTOR |
| | | or PDTC144WU | TRANSISTOR |
| | | or RN1309 | TRANSISTOR |
| | | or UN521E | TRANSISTOR |
| Q202 | | 2SC4081/QRS/-X | TRANSISTOR |
| | | or 2PC4081R/-X | TRANSISTOR |
| Q901 | | 2SA1576A/QRS/-X | TRANSISTOR |
| | | or 2PA1576R/-X | TRANSISTOR |
| Q2001 | | 2SC4081/QRS/-X | TRANSISTOR |
| | | or 2PC4081R/-X | TRANSISTOR |
| | | or 2SD1819A/QRS/-X | TRANSISTOR |
| Q2002 | | 2SC4081/QRS/-X | TRANSISTOR |
| | | or 2SD1819A/QRS/-X | TRANSISTOR |
| | | or 2PC4081R/-X | TRANSISTOR |
| Q2003 | | DTA144WU | TRANSISTOR |
| | | or PDTA144WU | TRANSISTOR |
| | | or RN2309 | TRANSISTOR |
| | | or UN511E | TRANSISTOR |
| Q2051 | | 2SC4081/QRS/-X | TRANSISTOR |
| | | or 2PC4081R/-X | TRANSISTOR |
| | | or 2SD1819A/QRS/-X | TRANSISTOR |
| Q2052 | | 2SA1576A/QR/-X | TRANSISTOR |
| | | or 2SB1218A/QR/-X | TRANSISTOR |
| | | or 2PA1576R/-X | TRANSISTOR |
| Q2053 | | DTC144WU | TRANSISTOR |
| | | or PDTC144WU | TRANSISTOR |
| | | or RN1309 | TRANSISTOR |
| | | or UN521E | TRANSISTOR |

| # | △ REF No. | PART No. | PART NAME, DESCRIPTION |
|---------|-----------|-------------------|------------------------|
| Q2054 | | 2SA1576A/QR/-X | TRANSISTOR |
| | | or 2PA1576R/-X | TRANSISTOR |
| | | or 2SB1218A/QR/-X | TRANSISTOR |
| Q2055 | | DTC144WU | TRANSISTOR |
| | | or PDTC144WU | TRANSISTOR |
| | | or RN1309 | TRANSISTOR |
| | | or UN521E | TRANSISTOR |
| Q3002 | | PTZ-NV16A | PHOTO TRANSISTOR |
| Q3004 | | 2SD1819A/QRS/-X | TRANSISTOR |
| | | or 2SC4081/QRS/-X | TRANSISTOR |
| | | or 2PC4081R/-X | TRANSISTOR |
| Q4001 | | UN5211 | TRANSISTOR |
| | | or DTC114EU | TRANSISTOR |
| | | or PDTC114EU | TRANSISTOR |
| | | or RN1302 | TRANSISTOR |
| Q4002 | | 2SD1819A/QRS/-X | TRANSISTOR |
| | | or 2SC4081/QRS/-X | TRANSISTOR |
| | | or 2PC4081R/-X | TRANSISTOR |
| Q5101 | | 2SK2632-CB14 | POWER MOS FET |
| | | or 2SK2632 | POWER MOS FET |
| | | or 2SK2129 | POWER MOS FET |
| | | or 2SK2129-LT | POWER MOS FET |
| Q5102 | | 2SD2144S/UV/-T | TRANSISTOR |
| Q5303 | | 2SD1819A/RS/-X | TRANSISTOR |
| | | or 2SC4081/RS/-X | TRANSISTOR |
| | | or 2PC4081R/-X | TRANSISTOR |
| Q5304 | | 2SD2144S/UV/-T | TRANSISTOR |
| Q5305 | | DTA114EU | TRANSISTOR |
| | | or PDTA114EU | TRANSISTOR |
| | | or RN2302 | TRANSISTOR |
| | | or UN5111 | TRANSISTOR |
| Q5306 | | DTC114EU | TRANSISTOR |
| | | or PDTC114EU | TRANSISTOR |
| | | or UN5211 | TRANSISTOR |
| | | or RN1302 | TRANSISTOR |
| Q5321 | | 2SC3616/ML/-T | TRANSISTOR |
| Q6030 | | 2SB1218A/QR/-X | TRANSISTOR |
| | | or 2PA1576R/-X | TRANSISTOR |
| | | or 2SA1576A/QR/-X | TRANSISTOR |
| Q7001 | | DTA143TU | TRANSISTOR |
| Q7002 | | DTA143TU | TRANSISTOR |
| Q7003 | | DTA143TU | TRANSISTOR |
| Q7004 | | DTA143TU | TRANSISTOR |
| Q7005 | | DTA143TU | TRANSISTOR |
| Q7006 | | DTC143TU | TRANSISTOR |
| Q7007 | | DTC143TU | TRANSISTOR |
| Q7008 | | DTC143TU | TRANSISTOR |
| Q7009 | | DTC143TU | TRANSISTOR |
| Q7010 | | DTC143TU | TRANSISTOR |
| Q7011 | | DTC143TU | TRANSISTOR |
| Q7012 | | DTC143TU | TRANSISTOR |
| D3001 | | LNB2301L01VI | LE DIODE |
| D3002 | | 1SS133 | DIODE |
| | | or 1SS270A | DIODE |
| D3004 | | 11ES2 | DIODE |
| | | or 1A3G | DIODE |
| D3005 | | 11ES2 | DIODE |
| | | or 1A3G | DIODE |
| D3006 | | RD33ES/B2/-T2 | ZENER DIODE |
| | | or MTZJ33B | ZENER DIODE |
| △ D3008 | | RB721Q-40-T2 | SB DIODE |

| # | △ | REF No. | PART No. | PART NAME, DESCRIPTION | | # | △ | REF No. | PART No. | PART NAME, DESCRIPTION | |
|-------|---|---------|--------------------|------------------------|-------------|-------|---|---------|--------------|------------------------|-------------|
| D5001 | | | S1WB/A/60-4102 | BRIDGE DIODE | | R77 | | | NRSA63J-103X | MG RESISTOR | 10kΩ,1/16W |
| | | | or S1WB/A/60-X | BRIDGE DIODE | | R90 | | | NRSA63J-391X | MG RESISTOR | 390Ω,1/16W |
| | | | or S1WB(A)60F4072X | BRIDGE DIODE | | R92 | | | NRSA63J-152X | MG RESISTOR | 1.5kΩ,1/16W |
| D5101 | | | AU01 | FR DIODE | | R93 | | | NRSA63J-222X | MG RESISTOR | 2.2kΩ,1/16W |
| | | | or ERA18-04-T2 | FR DIODE | | R104 | | | NRSA63J-682X | MG RESISTOR | 6.8kΩ,1/16W |
| | | | or 10ELS4 | FR DIODE | | R118 | | | NRSA63J-0R0X | MG RESISTOR | 0Ω,1/16W |
| | | | or 1SR153-400-T2 | FR DIODE | | R201 | | | NRSA02J-332X | MG RESISTOR | 3.3kΩ,1/10W |
| D5102 | | | AU01 | FR DIODE | | R202 | | | NRSA02J-222X | MG RESISTOR | 2.2kΩ,1/10W |
| | | | or ERA18-04-T2 | FR DIODE | | R203 | | | NRSA02J-101X | MG RESISTOR | 100Ω,1/10W |
| | | | or 1SR153-400-T2 | FR DIODE | | R204 | | | NRSA02J-101X | MG RESISTOR | 100Ω,1/10W |
| | | | or 10ELS4 | FR DIODE | | R210 | | | QRE141J-332Y | RESISTOR | 3.3kΩ,1/4W |
| D5103 | | | 1SS133 | DIODE | | R211 | | | NRSA63J-0R0X | MG RESISTOR | 0Ω,1/16W |
| | | | or 1SS270A | DIODE | | R901 | | | NRSA02J-750X | MG RESISTOR | 75Ω,1/10W |
| D5105 | | | 1SS133 | DIODE | | R904 | | | QRE123J-331X | RESISTOR | 330Ω,1/2W |
| | | | or 1SS270A | DIODE | | R905 | | | NRSA02J-101X | MG RESISTOR | 100Ω,1/10W |
| D5203 | | | AU01Z | FR DIODE | | R911 | | | NRSA02J-750X | MG RESISTOR | 75Ω,1/10W |
| | | | or ERA18-02-T2 | FR DIODE | | R912 | | | NRSA02J-750X | MG RESISTOR | 75Ω,1/10W |
| | | | or PG104RS | FR DIODE | | R2001 | | | NRSA02J-101X | MG RESISTOR | 100Ω,1/10W |
| | | | or 1SR153-400-T2 | FR DIODE | | R2003 | | | NRSA02J-101X | MG RESISTOR | 100Ω,1/10W |
| | | | or 10ELS2 | FR DIODE | | R2004 | | | NRSA02J-472X | MG RESISTOR | 4.7kΩ,1/10W |
| D5204 | | | AU01Z | FR DIODE | | R2005 | | | NRSA02J-153X | MG RESISTOR | 15kΩ,1/10W |
| | | | or ERA18-02-T2 | FR DIODE | | R2006 | | | NRSA02J-473X | MG RESISTOR | 47kΩ,1/10W |
| | | | or 1SR153-400-T2 | FR DIODE | | R2007 | | | NRSA02J-473X | MG RESISTOR | 47kΩ,1/10W |
| | | | or 10ELS2 | FR DIODE | | R2008 | | | NRSA02J-103X | MG RESISTOR | 10kΩ,1/10W |
| | | | or PG104RS | FR DIODE | | R2009 | | | NRSA02J-562X | MG RESISTOR | 5.6kΩ,1/10W |
| D5207 | | | AK04 | DIODE | | R2010 | | | NRSA02J-562X | MG RESISTOR | 5.6kΩ,1/10W |
| | | | or 11EQS04 | SB DIODE | | R2013 | | | NRSA63J-682X | MG RESISTOR | 6.8kΩ,1/16W |
| | | | or 1SA | SB DIODE | | R2014 | | | NRSA63J-224X | MG RESISTOR | 220kΩ,1/16W |
| D5210 | | | AU01Z | FR DIODE | | R2015 | | | NRSA63J-181X | MG RESISTOR | 180Ω,1/16W |
| | | | or PG104RS | FR DIODE | | R2016 | | | NRSA63J-473X | MG RESISTOR | 47kΩ,1/16W |
| | | | or 1SR153-400-T2 | FR DIODE | | R2017 | | | NRSA63J-153X | MG RESISTOR | 15kΩ,1/16W |
| | | | or 10ELS2 | FR DIODE | | R2018 | | | NRSA63J-472X | MG RESISTOR | 4.7kΩ,1/16W |
| | | | or ERA18-02-T2 | FR DIODE | | R2019 | | | NRSA63J-472X | MG RESISTOR | 4.7kΩ,1/16W |
| D5301 | | | MTZJ15C | ZENER DIODE | | R2024 | | | NRSA63J-332X | MG RESISTOR | 3.3kΩ,1/16W |
| | | | or RD15ES/B3/-T2 | ZENER DIODE | | R2053 | | | NRSA63J-392X | MG RESISTOR | 3.9kΩ,1/16W |
| D5302 | | | QUY153-050Y | IM BUS WIRE | | R2054 | | | NRSA02J-123X | MG RESISTOR | 12kΩ,1/10W |
| D5303 | | | RD5.1JS/B2/-T2 | ZENER DIODE | | R2055 | | | NRSA02J-3R3X | MG RESISTOR | 3.3Ω,1/10W |
| | | | or MA4051N/M/-T2 | ZENER DIODE | | R2056 | | | NRSA02J-820X | MG RESISTOR | 82Ω,1/10W |
| D5304 | | | 1SS133 | DIODE | | R2057 | | | NRSA02J-473X | MG RESISTOR | 47kΩ,1/10W |
| | | | or 1SS270A | DIODE | | R2058 | | | NRSA02J-183X | MG RESISTOR | 18kΩ,1/10W |
| D5305 | | | 11ES2 | DIODE | | R2059 | | | NRSA02J-473X | MG RESISTOR | 47kΩ,1/10W |
| | | | or 1A3G | DIODE | | R2060 | | | NRSA02J-183X | MG RESISTOR | 18kΩ,1/10W |
| | | | or ERA15-02-T2 | DIODE | | R3001 | | | NRSA02J-0R0X | MG RESISTOR | 0Ω,1/10W |
| D5307 | | | QUY160-100Y | IM BUS WIRE | | R3017 | | | NRSA02J-102X | MG RESISTOR | 1kΩ,1/10W |
| D5316 | | | QUY160-100Y | IM BUS WIRE | | R3018 | | | NRSA02J-102X | MG RESISTOR | 1kΩ,1/10W |
| D6002 | | | HZ30-2L-T2 | ZENER DIODE | | R3021 | | | QUY160-100Y | IM BUS WIRE | |
| | | | or HZ30-2LTD | Z DIODE (M) | | R3027 | | | QUY160-100Y | IM BUS WIRE | |
| R1 | | | NRSA63J-682X | MG RESISTOR | 6.8kΩ,1/16W | R3028 | | | NRSA63J-102X | MG RESISTOR | 1kΩ,1/16W |
| R2 | | | NRSA63J-152X | MG RESISTOR | 1.5kΩ,1/16W | R3042 | | | NRSA02J-0R0X | MG RESISTOR | 0Ω,1/10W |
| R3 | | | NRSA63J-822X | MG RESISTOR | 8.2kΩ,1/16W | R3057 | | | NRSA02J-102X | MG RESISTOR | 1kΩ,1/10W |
| R6 | | | NRSA63J-273X | MG RESISTOR | 27kΩ,1/16W | R3060 | | | NRSA02J-0R0X | MG RESISTOR | 0Ω,1/10W |
| R7 | | | NRSA63J-681X | MG RESISTOR | 680Ω,1/16W | R3090 | | | NRSA02J-102X | MG RESISTOR | 1kΩ,1/10W |
| R8 | | | NRSA63J-102X | MG RESISTOR | 1kΩ,1/16W | R3116 | | | NRSA02J-103X | MG RESISTOR | 10kΩ,1/10W |
| R9 | | | NRSA63J-0R0X | MG RESISTOR | 0Ω,1/16W | R3117 | | | NRSA02J-103X | MG RESISTOR | 10kΩ,1/10W |
| R12 | | | QUY153-050Y | IM BUS WIRE | | R3201 | | | NRSA02J-332X | MG RESISTOR | 3.3kΩ,1/10W |
| R37 | | | NRSA63J-0R0X | MG RESISTOR | 0Ω,1/16W | R3206 | | | NRSA02J-103X | MG RESISTOR | 10kΩ,1/10W |
| R42 | | | NRSA63J-681X | MG RESISTOR | 680Ω,1/16W | R3207 | | | NRSA02J-103X | MG RESISTOR | 10kΩ,1/10W |
| R44 | | | NRSA63J-822X | MG RESISTOR | 8.2kΩ,1/16W | R3208 | | | NRSA02J-103X | MG RESISTOR | 10kΩ,1/10W |
| R45 | | | NRSA63J-103X | MG RESISTOR | 10kΩ,1/16W | R3209 | | | QRE141J-181Y | RESISTOR | 180Ω,1/4W |
| R46 | | | NRSA02J-331X | MG RESISTOR | 330Ω,1/10W | R3211 | | | NRSA02J-183X | MG RESISTOR | 18kΩ,1/10W |
| R49 | | | NRSA63J-561X | MG RESISTOR | 560Ω,1/16W | R3212 | | | NRSA02J-181X | MG RESISTOR | 180Ω,1/10W |

| # | △ REF No. | PART No. | PART NAME, DESCRIPTION | # | △ REF No. | PART No. | PART NAME, DESCRIPTION |
|---|-----------|--------------|--------------------------|---|-----------|--------------|-------------------------|
| | R3213 | QRE141J-273Y | RESISTOR 27kΩ,1/4W | | R6020 | NRSA02J-102X | MG RESISTOR 1kΩ,1/10W |
| | R3214 | NRSA02J-181X | MG RESISTOR 180Ω,1/10W | | R6021 | NRSA02J-102X | MG RESISTOR 1kΩ,1/10W |
| | R3215 | NRSA02J-273X | MG RESISTOR 27kΩ,1/10W | | R6023 | NRSA02J-0R0X | MG RESISTOR 0Ω,1/10W |
| | R3216 | NRSA02J-474X | MG RESISTOR 470kΩ,1/10W | | R6030 | NRSA02J-102X | MG RESISTOR 1kΩ,1/10W |
| | R3217 | NRSA02J-334X | MG RESISTOR 330kΩ,1/10W | | R6031 | QRE141J-271Y | RESISTOR 270Ω,1/4W |
| | R3218 | NRSA02J-562X | MG RESISTOR 5.6kΩ,1/10W | | R6032 | NRSA02J-822X | MG RESISTOR 8.2kΩ,1/10W |
| | R3219 | QRE141J-103Y | RESISTOR 10kΩ,1/4W | | R6050 | QUY160-100Y | IM BUS WIRE |
| | R3220 | NRSA02J-103X | MG RESISTOR 10kΩ,1/10W | | R6051 | NRSA02J-101X | MG RESISTOR 100Ω,1/10W |
| | R3222 | NRSA02J-472X | MG RESISTOR 4.7kΩ,1/10W | | R6052 | NRSA02J-101X | MG RESISTOR 100Ω,1/10W |
| | R3223 | NRSA63J-105X | MG RESISTOR 1MΩ,1/16W | | R7001 | QRE141J-331Y | RESISTOR 330Ω,1/4W |
| | R3224 | NRSA63J-101X | MG RESISTOR 100Ω,1/16W | | R7002 | NRSA02J-331X | MG RESISTOR 330Ω,1/10W |
| | R3226 | NRSA02J-103X | MG RESISTOR 10kΩ,1/10W | | R7003 | NRSA02J-331X | MG RESISTOR 330Ω,1/10W |
| | R3227 | NRSA02J-103X | MG RESISTOR 10kΩ,1/10W | | R7004 | NRSA02J-331X | MG RESISTOR 330Ω,1/10W |
| | R3232 | QRE141J-104Y | RESISTOR 100kΩ,1/4W | | R7005 | NRSA63J-331X | MG RESISTOR 330Ω,1/16W |
| | R3233 | NRSA02J-472X | MG RESISTOR 4.7kΩ,1/10W | | R7006 | NRSA02J-331X | MG RESISTOR 330Ω,1/10W |
| | R3234 | NRSA02J-472X | MG RESISTOR 4.7kΩ,1/10W | | R7007 | NRSA63J-331X | MG RESISTOR 330Ω,1/16W |
| △ | R3235 | NRSA02J-102X | MG RESISTOR 1kΩ,1/10W | | R7020 | NRSA02J-103X | MG RESISTOR 10kΩ,1/10W |
| | R3237 | NRSA02J-472X | MG RESISTOR 4.7kΩ,1/10W | | R7021 | NRSA02J-122X | MG RESISTOR 1.2kΩ,1/10W |
| | R3238 | NRSA02J-472X | MG RESISTOR 4.7kΩ,1/10W | | R7022 | NRSA02J-182X | MG RESISTOR 1.8kΩ,1/10W |
| | R4001 | QRE141J-222Y | RESISTOR 2.2kΩ,1/4W | | R7023 | NRSA02J-222X | MG RESISTOR 2.2kΩ,1/10W |
| | R4002 | QRE141J-562Y | RESISTOR 5.6kΩ,1/4W | | R7024 | NRSA02J-272X | MG RESISTOR 2.7kΩ,1/10W |
| | R4003 | NRSA02J-222X | MG RESISTOR 2.2kΩ,1/10W | | R7030 | NRSA02J-103X | MG RESISTOR 10kΩ,1/10W |
| | R4004 | QUY160-100Y | IM BUS WIRE | | R7031 | NRSA02J-122X | MG RESISTOR 1.2kΩ,1/10W |
| | R4006 | NRSA02J-472X | MG RESISTOR 4.7kΩ,1/10W | | R7032 | NRSA02J-182X | MG RESISTOR 1.8kΩ,1/10W |
| | R4010 | NRSA02J-471X | MG RESISTOR 470Ω,1/10W | | R7033 | NRSA02J-222X | MG RESISTOR 2.2kΩ,1/10W |
| | R4011 | NRSA02J-471X | MG RESISTOR 470Ω,1/10W | | R7034 | NRSA02J-272X | MG RESISTOR 2.7kΩ,1/10W |
| | R4012 | NRSA02J-153X | MG RESISTOR 15kΩ,1/10W | | R7035 | NRSA02J-472X | MG RESISTOR 4.7kΩ,1/10W |
| | R4013 | NRSA02J-102X | MG RESISTOR 1kΩ,1/10W | | R7036 | NRSA02J-682X | MG RESISTOR 6.8kΩ,1/10W |
| | R4018 | NRSA02J-103X | MG RESISTOR 10kΩ,1/10W | | R7037 | NRSA02J-563X | MG RESISTOR 56kΩ,1/10W |
| | R4019 | NRSA02J-102X | MG RESISTOR 1kΩ,1/10W | | R7046 | QUY153-050Y | IM BUS WIRE |
| | R4020 | NRSA02J-102X | MG RESISTOR 1kΩ,1/10W | | B6 | NRSA63J-0R0X | MG RESISTOR 0Ω,1/16W |
| | R4021 | NRSA02J-103X | MG RESISTOR 10kΩ,1/10W | | B17 | NRSA63J-0R0X | MG RESISTOR 0Ω,1/16W |
| | R4024 | QRE141J-103Y | RESISTOR 10kΩ,1/4W | | B201 | NRSA02J-0R0X | MG RESISTOR 0Ω,1/10W |
| | R5101 | QRE141J-224Y | RESISTOR 220kΩ,1/4W | | B2001 | QUY153-050Y | IM BUS WIRE |
| | R5102 | QRE141J-224Y | RESISTOR 220kΩ,1/4W | | B2002 | QUY153-050Y | IM BUS WIRE |
| | R5103 | QRE141J-683Y | RESISTOR 68kΩ,1/4W | | B3010 | NRSA02J-0R0X | MG RESISTOR 0Ω,1/10W |
| | R5104 | QRG02GJ-683 | OMF RESISTOR 68kΩ,2W | | B5001 | QUY160-100Y | IM BUS WIRE |
| | R5106 | QRT01DJ-R39X | MF RESISTOR 0.39Ω,1W | | B5002 | QUY160-100Y | IM BUS WIRE |
| | R5107 | QRE121J-331Y | RESISTOR 330Ω,1/2W | | B5301 | NRSA02J-0R0X | MG RESISTOR 0Ω,1/10W |
| | R5108 | NRSA02J-122X | MG RESISTOR 1.2kΩ,1/10W | | B6020 | QUY160-075Y | IM BUS WIRE |
| | R5109 | QRE141J-681Y | RESISTOR 680Ω,1/4W | | B6051 | NRSA02J-0R0X | MG RESISTOR 0Ω,1/10W |
| | R5110 | NRSA02J-224X | MG RESISTOR 220kΩ,1/10W | | B7009 | NRSA02J-0R0X | MG RESISTOR 0Ω,1/10W |
| | R5111 | NRSA02J-821X | MG RESISTOR 820Ω,1/10W | | C1 | NCB31CK-104X | CAPACITOR 0.1μF,16V |
| | R5112 | NRSA02J-221X | MG RESISTOR 220Ω,1/10W | | C2 | NCB31CK-104X | CAPACITOR 0.1μF,16V |
| | R5301 | NRSA02J-472X | MG RESISTOR 4.7kΩ,1/10W | | C3 | NCB31CK-104X | CAPACITOR 0.1μF,16V |
| | R5302 | NRSA02J-102X | MG RESISTOR 1kΩ,1/10W | | C4 | NCB31CK-104X | CAPACITOR 0.1μF,16V |
| | R5303 | NRSA02J-122X | MG RESISTOR 1.2kΩ,1/10W | | C5 | QEK1CM-476 | E CAPACITOR 47μF,16V |
| | R5304 | NRSA02J-471X | MG RESISTOR 470Ω,1/10W | | C6 | NCB11EK-104X | CAPACITOR 0.1μF,25V |
| | R5305 | NRSA02J-102X | MG RESISTOR 1kΩ,1/10W | | C7 | NCB21HK-471X | CAPACITOR 470pF,50V |
| | R5306 | NRSA02J-471X | MG RESISTOR 470Ω,1/10W | | C8 | NCB31CK-104X | CAPACITOR 0.1μF,16V |
| | R5308 | NRSA02J-471X | MG RESISTOR 470Ω,1/10W | | C9 | NCB31EK-103X | CAPACITOR 0.01μF,25V |
| | R5309 | NRSA02J-103X | MG RESISTOR 10kΩ,1/10W | | C10 | NDC31HJ-151X | CAPACITOR 150pF,50V |
| | R5310 | NRSA02J-471X | MG RESISTOR 470Ω,1/10W | | C11 | NCB31CK-104X | CAPACITOR 0.1μF,16V |
| | R5311 | NRSA02J-473X | MG RESISTOR 47kΩ,1/10W | | C12 | NDC31HJ-470X | CAPACITOR 47pF,50V |
| | R5312 | NRVA02D-332X | CMF RESISTOR 3.3kΩ,1/10W | | C14 | NCB31CK-104X | CAPACITOR 0.1μF,16V |
| | R5313 | NRVA02D-362X | CMF RESISTOR 3.6kΩ,1/10W | | C15 | NCB31EK-103X | CAPACITOR 0.01μF,25V |
| | R5314 | NRSA02J-332X | MG RESISTOR 3.3kΩ,1/10W | | C16 | NCB31CK-104X | CAPACITOR 0.1μF,16V |
| | R5316 | NRVA02D-822X | CMF RESISTOR 8.2kΩ,1/10W | | C17 | QEK11HM-335 | E CAPACITOR 3.3μF,50V |
| | R5332 | QRE141J-222Y | RESISTOR 2.2kΩ,1/4W | | C18 | QEK11HM-105 | E CAPACITOR 1μF,50V |
| | R5333 | QRL02DJ-391X | OMF RESISTOR 390Ω,2W | | C19 | QEK11HM-225 | E CAPACITOR 2.2μF,50V |
| | R5334 | QRL02DJ-391X | OMF RESISTOR 390Ω,2W | | C20 | QEK11HM-105 | E CAPACITOR 1μF,50V |

| # | △ | REF No. | PART No. | PART NAME, DESCRIPTION | | # | △ | REF No. | PART No. | PART NAME, DESCRIPTION | |
|-------|---|---------|--------------|------------------------|--------------|-------|-------|---------|--------------|------------------------|-----------------------|
| C21 | | | NCB31CK-104X | CAPACITOR | 0.1μF,16V | C3004 | | | NDC31HJ-101X | CAPACITOR | 100pF,50V |
| C22 | | | QEKJ0JM-476 | E CAPACITOR | 47μF,6.3V | C3008 | | | NCB21HK-103X | CAPACITOR | 0.01μF,50V |
| C23 | | | NCB31CK-223X | CAPACITOR | 0.022μF,16V | C3013 | | | QEKJ1CM-106 | E CAPACITOR | 10μF,16V |
| C24 | | | QCFB1HZ-104 | CAPACITOR | 0.1μF,50V | C3015 | | | NCB21HK-222X | CAPACITOR | 0.0022μF,50V |
| C25 | | | NDC31HJ-5R0X | CAPACITOR | 5pF,50V | C3016 | | | NDC21HJ-180X | CAPACITOR | 18pF,50V |
| C26 | | | NCB31CK-223X | CAPACITOR | 0.022μF,16V | C3017 | | | NDC21HJ-270X | CAPACITOR | 27pF,50V |
| C27 | | | NCB31EK-223X | CAPACITOR | 0.022μF,25V | C3018 | | | QAT3725-300Z | TRIM CAPACITOR | |
| C28 | | | QEKJ1HM-335 | E CAPACITOR | 3.3μF,50V | C3019 | | | NDC21HJ-3R0X | CAPACITOR | 3pF,50V |
| C29 | | | NCB31CK-333X | CAPACITOR | 0.033μF,16V | C3020 | | | NDC21HJ-180X | CAPACITOR | 18pF,50V |
| C30 | | | QEKJ1HM-474 | E CAPACITOR | 0.47μF,50V | C3022 | | | NCB21HK-103X | CAPACITOR | 0.01μF,50V |
| C31 | | | QEKJ0JM-476 | E CAPACITOR | 47μF,6.3V | C3023 | | | NCF21CZ-105X | CAPACITOR | 1μF,16V |
| C32 | | | QDYB1CM-103Y | CAPACITOR | 0.01μF,16V | C3028 | | | QETN0JM-108 | E CAPACITOR | 1000μF,6.3V |
| C33 | | | QEKJ1HM-225 | E CAPACITOR | 2.2μF,50V | C3035 | | | NCB31EK-223X | CAPACITOR | 0.022μF,25V |
| C34 | | | NCB21CK-224X | CAPACITOR | 0.22μF,16V | C3036 | | | QERF0JM-107 | E CAPACITOR | 100μF,6.3V |
| C35 | | | NCB31EK-103X | CAPACITOR | 0.01μF,25V | C3042 | | | NDC21HJ-101X | CAPACITOR | 100pF,50V |
| C36 | | | QEKJ1EM-475 | E CAPACITOR | 4.7μF,25V | C3049 | | | NCB21HK-103X | CAPACITOR | 0.01μF,50V |
| C37 | | | QEKJ1HM-105 | E CAPACITOR | 1μF,50V | C3050 | | | NCB21HK-103X | CAPACITOR | 0.01μF,50V |
| C38 | | | QEKJ0JM-476 | E CAPACITOR | 47μF,6.3V | C3052 | | | NCB21HK-103X | CAPACITOR | 0.01μF,50V |
| C39 | | | NCB31CK-223X | CAPACITOR | 0.022μF,16V | C3053 | | | QDYB1CM-103Y | CAPACITOR | 0.01μF,16V |
| C40 | | | QEKJ1CM-106 | E CAPACITOR | 10μF,16V | C4001 | | | NCB21EK-104X | CAPACITOR | 0.1μF,25V |
| C51 | | | QERF1HM-105 | E CAPACITOR | 1μF,50V | C4002 | | | QERF1HM-105 | E CAPACITOR | 1μF,50V |
| C54 | | | NCB31EK-103X | CAPACITOR | 0.01μF,25V | C4004 | | | QERF1AM-336 | E CAPACITOR | 33μF,10V |
| C62 | | | NCB31CK-104X | CAPACITOR | 0.1μF,16V | C4006 | | | NCB21EK-563X | CAPACITOR | 0.056μF,25V |
| C64 | | | NDC31HJ-220X | CAPACITOR | 22pF,50V | C4007 | | | NCB21HK-103X | CAPACITOR | 0.01μF,50V |
| C65 | | | QEKJ1HM-105 | E CAPACITOR | 1μF,50V | C4009 | | | NCB21HK-102X | CAPACITOR | 0.001μF,50V |
| C81 | | | NCB31EK-103X | CAPACITOR | 0.01μF,25V | C4010 | | | QERF0JM-476 | E CAPACITOR | 47μF,6.3V |
| C106 | | | NCB31HK-821X | CAPACITOR | 820pF,50V | C4011 | | | NCB21CK-224X | CAPACITOR | 0.22μF,16V |
| C108 | | | NDC31HJ-680X | CAPACITOR | 68pF,50V | C4014 | | | NDC21HJ-101X | CAPACITOR | 100pF,50V |
| C109 | | | NCB31AK-224X | CAPACITOR | 0.22μF,10V | C4015 | | | NDC21HJ-101X | CAPACITOR | 100pF,50V |
| C110 | | | NDC31HJ-820X | CAPACITOR | 82pF,50V | C4019 | | | NCB21HK-103X | CAPACITOR | 0.01μF,50V |
| C114 | | | NDC21HJ-181X | CAPACITOR | 180pF,50V | C4022 | | | NDC21HJ-101X | CAPACITOR | 100pF,50V |
| C201 | | | QERF0JM-107 | E CAPACITOR | 100μF,6.3V | △ | C5001 | | QFZ9073-683 | F CAPACITOR | 0.068μF,250V |
| C202 | | | NCB21EK-223X | CAPACITOR | 0.022μF,25V | △ | C5004 | | QCZ9071-222 | CAPACITOR | 0.0022μF,250V |
| C203 | | | QERF1HM-105 | E CAPACITOR | 1μF,50V | C5006 | | | QEZ0424-686 | E CAPACITOR | 68μF,400V |
| C205 | | | NDC21HJ-101X | CAPACITOR | 100pF,50V | C5101 | | | QCZ0212-472 | CAPACITOR | 0.0047μF,1kV |
| C207 | | | NCF21CZ-105X | CAPACITOR | 1μF,16V | C5102 | | | QCZ0339-101Z | CAPACITOR | 100pF,1kV |
| C208 | | | NDC21HJ-101X | CAPACITOR | 100pF,50V | C5104 | | | QEKJ1HM-105 | E CAPACITOR | 1μF,50V |
| C209 | | | NCB21HK-103X | CAPACITOR | 0.01μF,50V | C5105 | | | QFN31HJ-183 | F CAPACITOR | 0.018μF,50V |
| C210 | | | NCB21HK-222X | CAPACITOR | 0.0022μF,50V | C5106 | | | QCB1HJ-271 | CAPACITOR | 270pF,50V |
| C211 | | | NCB21HK-103X | CAPACITOR | 0.01μF,50V | C5107 | | | QFV11HJ-104 | F CAPACITOR | 0.1μF,50V |
| C212 | | | NDC31HJ-271X | CAPACITOR | 270pF,50V | C5202 | | | QEMT1CM-687 | E CAPACITOR | 680μF,16V |
| C901 | | | QETN0JM-477 | E CAPACITOR | 470μF,6.3V | C5203 | | | QEMT1AM-687 | E CAPACITOR | 680μF,10V |
| C904 | | | NCB21EK-223X | CAPACITOR | 0.022μF,25V | C5204 | | | QETJ2AM-475 | E CAPACITOR | 4.7μF,100V |
| C2001 | | | QEKJ1HM-475 | E CAPACITOR | 4.7μF,50V | C5206 | | | QEKJ1CM-476 | E CAPACITOR | 47μF,16V |
| C2002 | | | QEKJ1HM-105 | E CAPACITOR | 1μF,50V | C5207 | | | QEKJ1CM-107 | E CAPACITOR | 100μF,16V |
| C2003 | | | QEKJ0JM-476 | E CAPACITOR | 47μF,6.3V | C5301 | | | QEKJ1CM-107 | E CAPACITOR | 100μF,16V |
| C2005 | | | QEKJ1HM-475 | E CAPACITOR | 4.7μF,50V | C5302 | | | QEK1EM-106 | E CAPACITOR | 10μF,25V |
| C2006 | | | NCB31EK-123X | CAPACITOR | 0.012μF,25V | C5303 | | | QEKJ1CM-107 | E CAPACITOR | 100μF,16V |
| C2007 | | | QEKJ1CM-226 | E CAPACITOR | 22μF,16V | C5304 | | | QFLC1HJ-102Z | F CAPACITOR | 0.001μF,50V |
| C2008 | | | QEKJ1HM-475 | E CAPACITOR | 4.7μF,50V | C5305 | | | QFV91HJ-154 | F CAPACITOR | 0.15μF,50V |
| C2009 | | | NCB31HK-102X | CAPACITOR | 0.001μF,50V | C6007 | | | QEK0JM-227 | E CAPACITOR | 220μF,6.3V |
| C2010 | | | NCB31HK-222X | CAPACITOR | 0.0022μF,50V | C6012 | | | QETJ1CM-107 | E CAPACITOR | 100μF,16V |
| C2011 | | | QEKJ1HM-475 | E CAPACITOR | 4.7μF,50V | C6014 | | | NCB21HK-103X | CAPACITOR | 0.01μF,50V |
| C2012 | | | QEKJ1HM-475 | E CAPACITOR | 4.7μF,50V | C6023 | | | NRSA02J-0R0X | MG RESISTOR | 0Ω, 1/10W |
| C2051 | | | QCB1HK-331 | CAPACITOR | 330pF,50V | C6031 | | | QEKJ1EM-106 | E CAPACITOR | 10 ⁺ , 25V |
| C2052 | | | QFN31HJ-823 | F CAPACITOR | 0.082μF,50V | C6519 | | | NCB21HK-152X | CAPACITOR | 0.0015μF,50V |
| C2053 | | | NCB21HK-472X | CAPACITOR | 0.0047μF,50V | C7013 | | | NCB21HK-103X | CAPACITOR | 0.01μF,50V |
| C2054 | | | NCB21EK-223X | CAPACITOR | 0.022μF,25V | C7014 | | | NCB21HK-103X | CAPACITOR | 0.01μF,50V |
| C2055 | | | QEKJ1EM-106 | E CAPACITOR | 10μF,25V | C7041 | | | QEKJ0JM-227 | E CAPACITOR | 220μF,6.3V |
| C3001 | | | NCB21EK-223X | CAPACITOR | 0.022μF,25V | L1 | | | QQL29BJ-100Z | COIL | 10μH |
| C3003 | | | QEKJ1CM-106 | E CAPACITOR | 10μF,16V | L2 | | | QUY153-050Y | IM BUS WIRE | |

| # | △ REF No. | PART No. | PART NAME, DESCRIPTION |
|----------|-----------|----------------|-------------------------------|
| L3 | | QQL29BJ-100Z | COIL 10μH |
| L4 | | QQL29BJ-100Z | COIL 10μH |
| L5 | | QQL29BJ-100Z | COIL 10μH |
| L11 | | QQL01BJ-120Z | COIL 12μH |
| L13 | | QQL231J-330Y | COIL 33μH |
| L24 | | QQL231J-270Y | COIL 27μH |
| L27 | | QQL231J-330Y | COIL 33μH |
| L28 | | QQL231J-680Y | COIL 68μH |
| L201 | | QUY153-050Y | IM BUS WIRE |
| L203 | | QQL231J-4R7Y | COIL 4.7μH |
| L204 | | QUY153-050Y | IM BUS WIRE |
| L901 | | QQL29BJ-100Z | COIL 10μH |
| L2001 | | QUY153-050Y | IM BUS WIRE |
| L5201 | | PELN1184 | COIL 33μH |
| L5202 | | PELN1184 | COIL 33μH |
| L6001 | | QQL29BJ-100Z | COIL 10μH |
| L6002 | | QQL29BJ-470Z | COIL 47μH |
| L6032 | | QUY153-050Y | IM BUS WIRE |
| L7111 | | NRSA02J-0R0X | MG RESISTOR 0Ω,1/10W |
| L7112 | | QUY160-100Y | IM BUS WIRE |
| X1 | | QAX0576-001 | CRYSTAL RESONATOR |
| X2 | | QAX0575-001 | CRYSTAL RESONATOR |
| X3001 | | QAX0526-001Z | CRYSTAL RESONATOR |
| X3002 | | QAX0444-001 | CRYSTAL RESONATOR |
| S3001 | | QSW0602-004 | PUSH SWITCH,REC.SAFETY |
| S7004 | | QSW0456-002Z | TACT SWITCH,REW/CH- |
| S7006 | | QSW0456-002Z | TACT SWITCH,FF/CH+ |
| S7010 | | QSW0456-002Z | TACT SWITCH,PLAY |
| S7016 | | QSW0456-002Z | TACT SWITCH,POWER |
| S7017 | | QSW0456-002Z | TACT SWITCH,ST/EJ |
| S7018 | | QSW0456-002Z | TACT SWITCH,REC |
| S7019 | | QSW0456-002Z | TACT SWITCH,PAUSE/CH |
| K5101 | | QQR0678-001Z | FERRITE BEAD |
| K5102 | | QUY153-050Y | IM BUS WIRE |
| PC3001 | | GP3S123 | IC(PHOTO SENSOR) |
| PC3002 | | GP3S123 | IC(PHOTO SENSOR) |
| △ PC5101 | | PS2561L1-1/WL/ | IC(PHOTO COUPLER) |
| T2051 | | PELN0832 | OSC TRANSFORMER |
| △ T5001 | | QQS0083-001 | SW TRANSFORMER |
| TU6001 | | QAU0212-001 | TUNER |
| △ TB1 | | LP21035-003A | TERMINAL BOARD |
| DI7001 | | LTG-Y2K16M-J | LE DIODE |
| ET1 | | LP30859-001A | EARTH PLATE |
| HS1 | | LP40090-001A | HEAT SINK,Q5101 |
| SD1 | | LP21065-001A | SHIELD CASE(PRE) |
| OT1 | | QYTDST3006Z | SCREW,Q5101 |
| FC5001 | | QNG0006-001Z | FUSE CLIP,F5001 |
| FC5002 | | QNG0006-001Z | FUSE CLIP,F5001 |
| FW7106 | | QUM022-18A4A4 | P.R.WIRE,LT BATTERY |
| J1 | | QNN0292-002 | PIN JACK,A/V IN |
| J2 | | QNN0292-002 | PIN JACK,A/V OUT |
| J701 | | QNN0382-001 | PIN JACK,FRONT IN |
| △ LF5002 | | QQR0532-001 | LINE FILTER |
| CN1 | | QGF1028C2-08 | FPC CONNECTOR,(1-8)UPPER DRUM |
| CN2001 | | QGF1207C1-07 | FPC CONNECTOR,(1-7)A/C HEAD |
| CN2002 | | QGB2532J1-02 | CONNECTOR,(1-2)FE HEAD |
| CN3001 | | QGB2015M2-08 | CONNECTOR,(1-8)CAPSTAN MOTOR |
| CN3002 | | QGF1207C1-05 | FPC CONNECTOR,(1-5)DRUM MDA |
| CN3003 | | QGB2532J1-02 | CONNECTOR,(1-2)LOADING MOTOR |
| CN3004 | | QGB2534J2-04 | CONNECTOR,(1-4)ROTARY ENCODER |

| # | △ REF No. | PART No. | PART NAME, DESCRIPTION |
|----------|-----------|---------------|------------------------|
| △ CN5001 | | QGA7901C3-02 | CONNECTOR,(1-2)AC IN |
| △ CP4001 | | ICP-N25 | CIRCUIT PROTECTOR |
| △ CP5302 | | ICP-N25 | CIRCUIT PROTECTOR |
| △ F5001 | | QMF51E2-2R0J1 | FUSE, T2.0A,AC250V |

A/C HEAD BOARD ASSEMBLY <12>

| | | |
|-----|--------------|---------------------|
| PW1 | LP10122-01A1 | A/C HEAD BOARD ASSY |
| CN1 | QGF1208F1-07 | FPC CONNECTOR |

LOADING MOTOR BOARD ASSEMBLY <55>

| | | |
|-----|--------------|--------------------------|
| PW2 | LP10122-01A2 | LOADING MOTOR BOARD ASSY |
| CN1 | QGB2533K1-02 | CONNECTOR |

LT BATTERY BOARD ASSEMBLY <93>

| | | |
|--------|---------------|-----------------------|
| PW4 | LPA10130-01A4 | LT BATTERY BOARD ASSY |
| BT3001 | QNZ0032-001 | BATTERY HOLDER |